

Mail Bin Type 5000 (G312)

Mail Bin Type 5000 (G312)

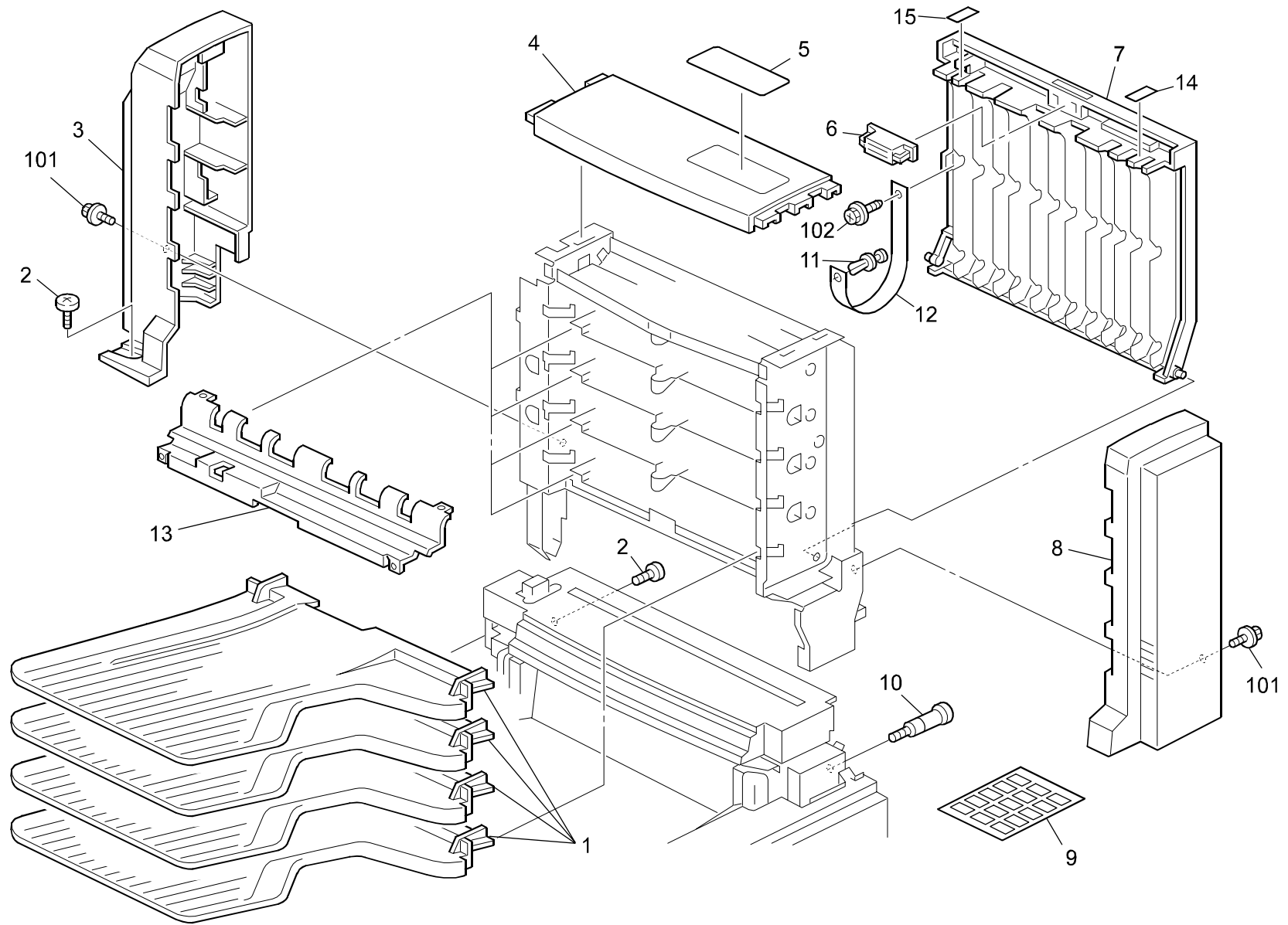
PARTS CATALOG

This catalog gives the numbers and names of parts on this machine.

1.Exterior (G312).....	2
2.Paper Exit Section 1 (G312)	4
3.Paper Exit Section 2 (G312)	6
4.Paper Exit Section 3 (G312)	8
PARTS INDEX.....	11

September ,03 ' 2002

1.Exterior (G312)

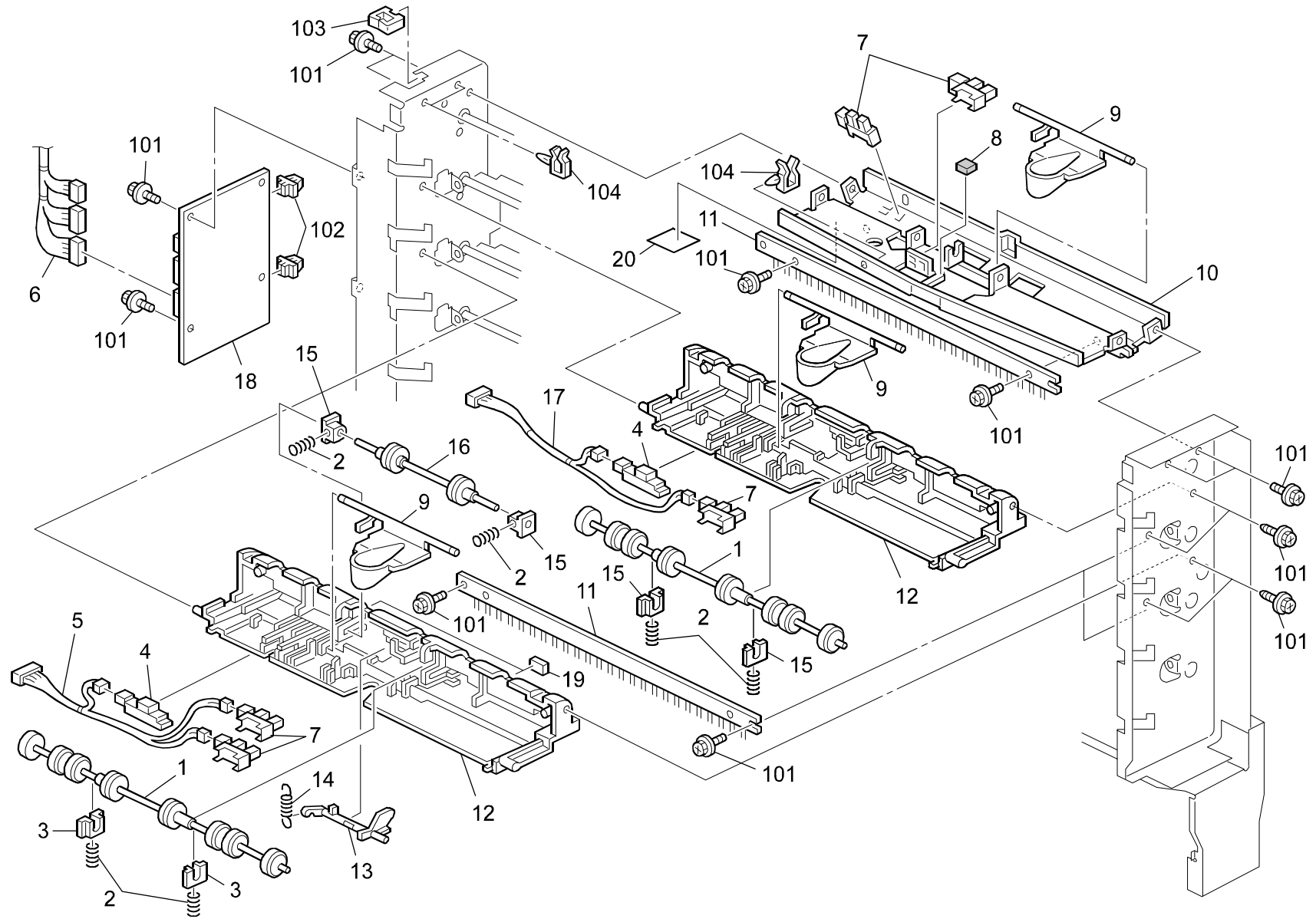


1.Exterior (G312)

Index No.	Part No.	Description	Q'ty Per Assembly
1	G312 6611	Copy Tray	4
2	G312 6641	Flat Screw	2
3	G312 1611	Rear Cover	1
4	G312 1711	Upper Cover	1
5	G312 1751	Decal - Misfeed Removal	1
6	AG07 1010	Magnet Catch	1
7	G312 2316	Misfeed Removal Cover	1
8	G312 1511	Front Cover	1
9	G566 2410	Decal - Bin Display	1
10	AA14 3506	Knob Screw	1
11	A048 2838	Nylon Rivet	1
12	G518 2371	Cover Band	1
13	G566 2281	Cover - Paper Sensor	4
14	G312 2313	Front Cover Guide	1
15	G566 2313	Guide Cover Front	1

Index No.	Part No.	Description	Q'ty Per Assembly
101	0451 3008H	Tapping Screw - M3x8	
102	0450 3008B	Tapping Screw - M3x8	

2.Paper Exit Section 1 (G312)

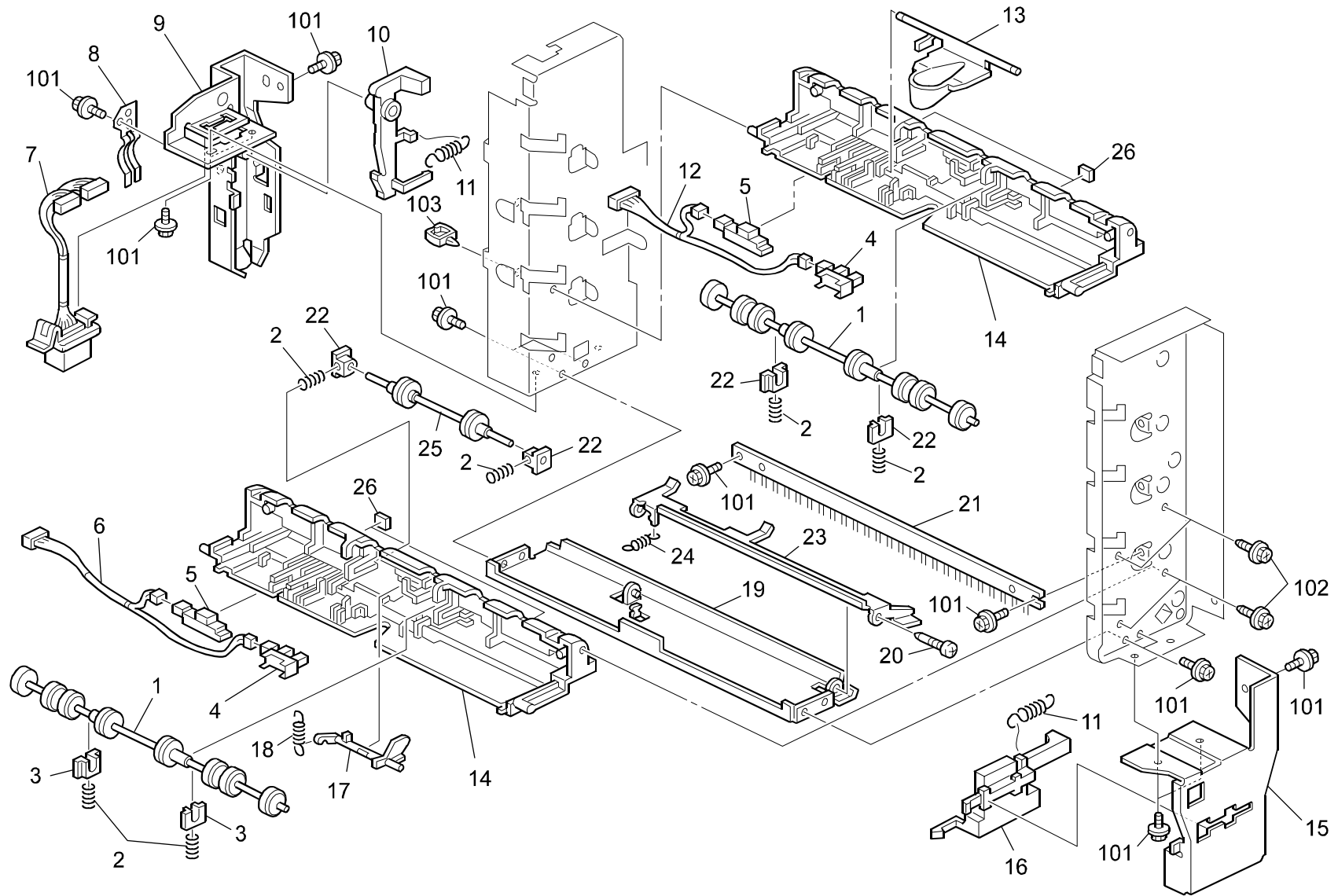


2.Paper Exit Section 1 (G312)

Index No.	Part No.	Description	Q'ty Per Assembly
1	G312 2114	Driven Roller - 23mm	2
2	AA06 3348	Compression Spring - 1.8N	6
3	AA08 0034	Bushing - 4x5x7	2
4	AW01 0088	Sensor GP2A200LCS - Assembly	2
5	G566 5210	Harness - 3bin Paper Sensor	1
6	G566 5200	Harness - Main	1
7	AW02 0086	Photointerruptor	5
8	G518 1236	Cushion - 0.5mm	1
9	G518 2262	Actuator - Paper Sensor	3
10	G518 1231	Upper Stay	1
11	AA12 0095	Discharge Brush	2
12	G518 2212	Guide Plate	2
13	G518 2272	Transport Actuator	1
14	AA06 0801	Tension Spring	1
15	AA08 0232	Bushing - M4	4
16	AF02 2075	Driven Roller	1
17	G566 5250	Harness - 2bin Paper Sensor	1
18	G312 5100	Main Control Board	1
19	G518 1237	Sheet - Shielding Plate	4
20	G518 2291	Cushion - Guide Plate	1

Index No.	Part No.	Description	Q'ty Per Assembly
101	0451 3006B	Tapping Screw - M3x6	
102	1105 0326	Locking Support	
103	1105 0328	Harness Clamp - ES-0505	
104	1105 0283	Clamp	

3.Paper Exit Section 2 (G312)

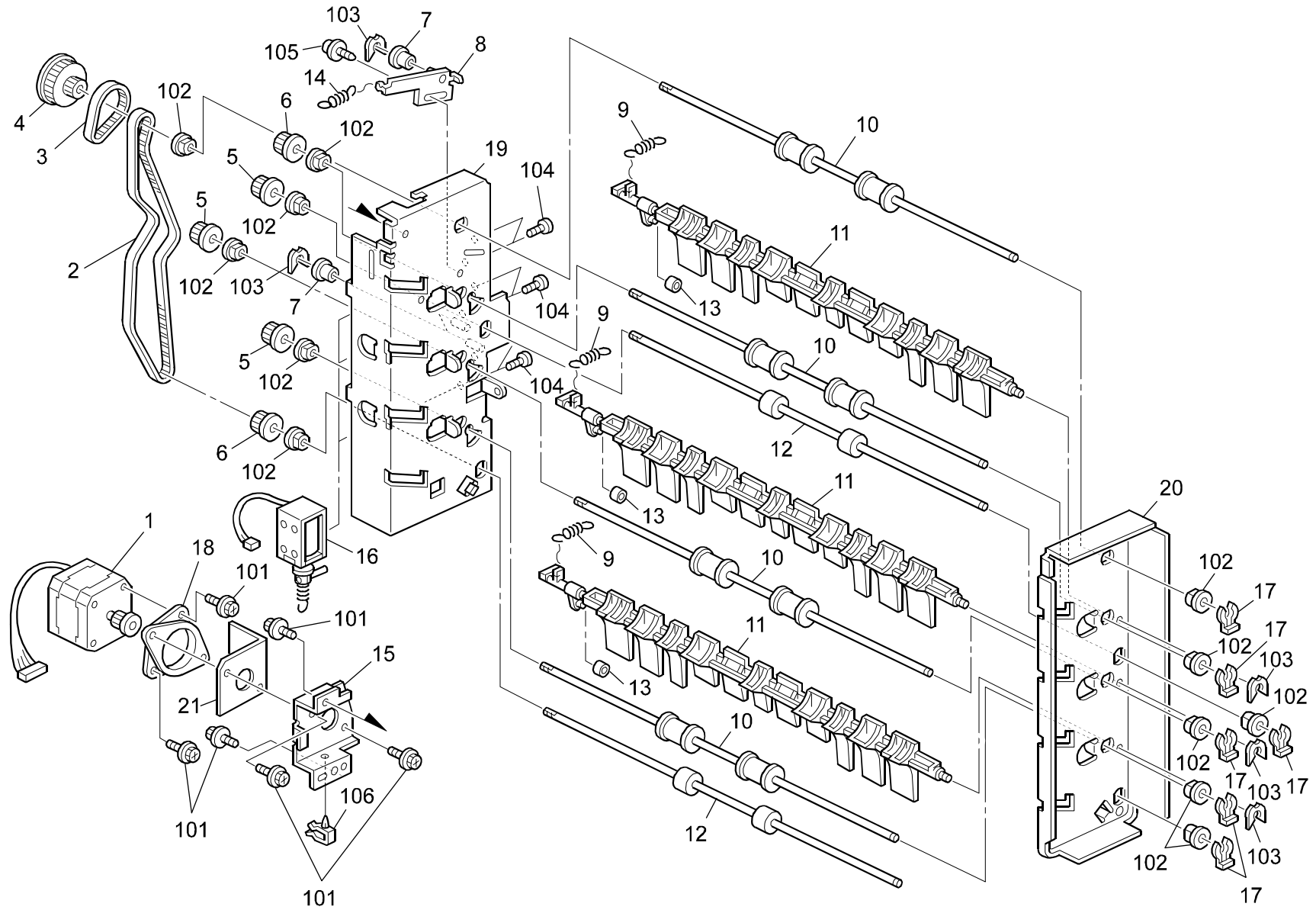


3.Paper Exit Section 2 (G312)

Index No.	Part No.	Description	Q'ty Per Assembly
1	G312 2114	Driven Roller - 23mm	2
2	AA06 3348	Compression Spring - 1.8n	6
3	AA08 0034	Bushing - 4x5x7	2
4	AW02 0086	Photointerruptor	2
5	AW01 0088	Sensor GP2A200LCS - Assembly	2
6	G566 5230	Harness - 1bin Paper Sensor	1
7	G312 5820	Interface Harness	1
8	G518 1226	Ground Plate	1
9	G312 1250	Rear Coupling Bracket	1
10	G312 1261	Rear Release Lever	1
11	G566 1165	Tension Spring - Release Lever	2
12	G566 5250	Harness - 2bin Paper Sensor	1
13	G518 2262	Actuator - Paper Sensor	1
14	G518 2212	Guide Plate	2
15	G312 1151	Front Coupling Bracket	1
16	G312 1161	Front Release Lever	1
17	G518 2272	Transport Actuator	1
18	AA06 0801	Tension Spring	1
19	G566 1411	Stay - Lower	1
20	5446 2824	Screw - Duplex Guide Plate	1
21	AA12 0095	Discharge Brush	1
22	AA08 0232	Bushing - M4	4
23	G518 1245	Release Lever	1
24	AA06 0800	Pressure Release Spring - 0.5N	1
25	AF02 2075	Driven Roller	1
26	G518 2291	Cushion - Guide Plate	4

Index No.	Part No.	Description	Q'ty Per Assembly
101	0451 3006B	Tapping Screw - M3x6	
102	0450 3008B	Tapping Screw - M3x8	
103	1105 0231	Clamp	

4.Paper Exit Section 3 (G312)



4.Paper Exit Section 3 (G312)

Index No.	Part No.	Description	Q'ty Per Assembly
1	B351 1971	Stepper Motor - Reverse	1
2	AA04 3532	Timing Belt - B40S2M560	1
3	AA04 3531	Timing Belt - B40S2M144	1
4	AB03 0699	Timing Pulley - T57 T28 S2M	1
5	AB03 0639	Timing Pulley - T26 S2M	3
6	G312 2014	Timing Pulley - 28TS2M	2
7	A079 4914	Idle Roller - Gate Belt	2
8	G518 2555	Bracket - Tightener	1
9	AA06 0802	Tension Spring	3
10	AF02 0478	Exit Roller	4
11	G518 2412	Exit Polarization Powl	3
12	AF02 0477	Transport Roller	2
13	A458 2251	Cushion - Bin Solenoid Lever	3
14	AA06 0803	Tension Spring	1
15	G566 2512	Bracket - Stepper Motor	1
16	G518 2710	DC Solenoid - 24V 3.8W	1
17	G312 0097	Separator Ring	6
18	A663 2113	Cushion - Stepping Motor	1
19	G566 1220	Rear Side Plate	1
20	G566 1111	Front Side Plate	1
21	G312 2513	Motor Separation Plate	1

Index No.	Part No.	Description	Q'ty Per Assembly
101	0451 3006B	Tapping Screw - M3x6	
102	0805 3480	Bushing - 6mm	
103	0805 0089	Retaining Ring - M4	
104	0313 0030B	Philips Pan Head Screw - M3x3	
105	0951 4006W	Philips Screw With Flat Washer - M4x6	
106	1105 0283	Clamp	

Parts Index

Parts Index

Part No.	Description	Page and Index No.
G312 0097	Separator Ring	9- 17
G312 1151	Front Coupling Bracket	7- 15
G312 1161	Front Release Lever	7- 16
G312 1250	Rear Coupling Bracket	7- 9
G312 1261	Rear Release Lever	7- 10
G312 1511	Front Cover	3- 8
G312 1611	Rear Cover	3- 3
G312 1711	Upper Cover	3- 4
G312 1751	Decal - Misfeed Removal	3- 5
G312 2014	Timing Pulley - 28TS2M	9- 6
G312 2114	Driven Roller - 23mm	5- 1
G312 2114	Driven Roller - 23mm	7- 1
G312 2313	Front Cover Guide	3- 14
G312 2316	Misfeed Removal Cover	3- 7
G312 2513	Motor Separation Plate	9- 21
G312 5100	Main Control Board	5- 18
G312 5820	Interface Harness	7- 7
G312 6611	Copy Tray	3- 1
G312 6641	Flat Screw	3- 2

Part No.	Description	Page and Index No.
A048 2838	Nylon Rivet	3- 11
A079 4914	Idle Roller - Gate Belt	9- 7
A458 2251	Cushion - Bin Solenoid Lever	9- 13
A663 2113	Cushion - Stepping Motor	9- 18
B351 1971	Stepper Motor - Reverse	9- 1
G518 1226	Ground Plate	7- 8
G518 1231	Upper Stay	5- 10
G518 1236	Cushion - 0.5mm	5- 8
G518 1237	Sheet - Shielding Plate	5- 19
G518 1245	Release Lever	7- 23
G518 2212	Guide Plate	7- 14
G518 2212	Guide Plate	5- 12
G518 2262	Actuator - Paper Sensor	7- 13
G518 2262	Actuator - Paper Sensor	5- 9
G518 2272	Transport Actuator	7- 17
G518 2272	Transport Actuator	5- 13
G518 2291	Cushion - Guide Plate	5- 20
G518 2291	Cushion - Guide Plate	7- 26
G518 2371	Cover Band	3- 12
G518 2412	Exit Polarization Powl	9- 11
G518 2555	Bracket - Tightener	9- 8
G518 2710	DC Solenoid - 24V 3.8W	9- 16
G566 1111	Front Side Plate	9- 20
G566 1165	Tension Spring - Release Lever	7- 11
G566 1220	Rear Side Plate	9- 19
G566 1411	Stay - Lower	7- 19
G566 2281	Cover - Paper Sensor	3- 13
G566 2313	Guide Cover Front	3- 15
G566 2410	Decal - Bin Display	3- 9
G566 2512	Bracket - Stepper Motor	9- 15
G566 5200	Harness - Main	5- 6
G566 5210	Harness - 3bin Paper Sensor	5- 5
G566 5230	Harness - 1bin Paper Sensor	7- 6
G566 5250	Harness - 2bin Paper Sensor	7- 12
G566 5250	Harness - 2bin Paper Sensor	5- 17

Part No.	Description	Page and Index No.
AA04 3531	Timing Belt - B40S2M144	9- 3
AA04 3532	Timing Belt - B40S2M560	9- 2
AA06 0800	Pressure Release Spring - 0.5N	7- 24
AA06 0801	Tension Spring	5- 14
AA06 0801	Tension Spring	7- 18
AA06 0802	Tension Spring	9- 9
AA06 0803	Tension Spring	9- 14
AA06 3348	Compression Spring - 1.8N	5- 2
AA06 3348	Compression Spring - 1.8n	7- 2
AA08 0034	Bushing - 4x5x7	5- 3
AA08 0034	Bushing - 4x5x7	7- 3
AA08 0232	Bushing - M4	7- 22
AA08 0232	Bushing - M4	5- 15
AA12 0095	Discharge Brush	5- 11
AA12 0095	Discharge Brush	7- 21
AA14 3506	Knob Screw	3- 10
AB03 0639	Timing Pulley - T26 S2M	9- 5
AB03 0699	Timing Pulley - T57 T28 S2M	9- 4
AF02 0477	Transport Roller	9- 12
AF02 0478	Exit Roller	9- 10
AF02 2075	Driven Roller	5- 16
AF02 2075	Driven Roller	7- 25
AG07 1010	Magnet Catch	3- 6
AW01 0088	Sensor GP2A200LCS - Assembly	5- 4
AW01 0088	Sensor GP2A200LCS - Assembly	7- 5
AW02 0086	Photointerruptor	7- 4
AW02 0086	Photointerruptor	5- 7

Part No.	Description	Page and Index No.
0313 0030B	Philips Pan Head Screw - M3x3	9-104
0450 3008B	Tapping Screw - M3x8	3-102
0450 3008B	Tapping Screw - M3x8	7-102
0451 3006B	Tapping Screw - M3x6	7-101
0451 3006B	Tapping Screw - M3x6	5-101
0451 3006B	Tapping Screw - M3x6	9-101
0451 3008H	Tapping Screw - M3x8	3-101
0805 0089	Retaining Ring - M4	9-103
0805 3480	Bushing - 6mm	9-102
0951 4006W	Philips Screw With Flat Washer - M4x6	9-105
1105 0231	Clamp	7-103
1105 0283	Clamp	5-104
1105 0283	Clamp	9-106
1105 0326	Locking Support	5-102
1105 0328	Harness Clamp - ES-0505	5-103

Part No.	Description	Page and Index No.
5446 2824	Screw - Duplex Guide Plate	7- 20

Part No.	Description	Page and Index No.